

ES-2035

10.4 inch COLOR LCD ECHO SOUNDER

SINGLE FREQUENCY UNIT



DUAL FREQUENCY UNIT



SUZUKI FISH FINDER CO., LTD. is one of the leading echo sounder providers focused on customer needs and targets the commercial fishing market by providing value-added, customized sounders.

FEATURES

The ES-2035's advanced features make it suitable for a variety of fishing. Since introducing the ES-1025/2025, SUZUKI has made continual strides to improve its features.

The following shows the upgraded Echo Sounder ES-2035.

CLEAR COLOR SCREEN

10.4 inch, bright, high resolution, sunlight readable, full-color advanced TFT screen

EASY OPERATION

Simple key operation and setting menu

VARSATILE FUNCTIONS

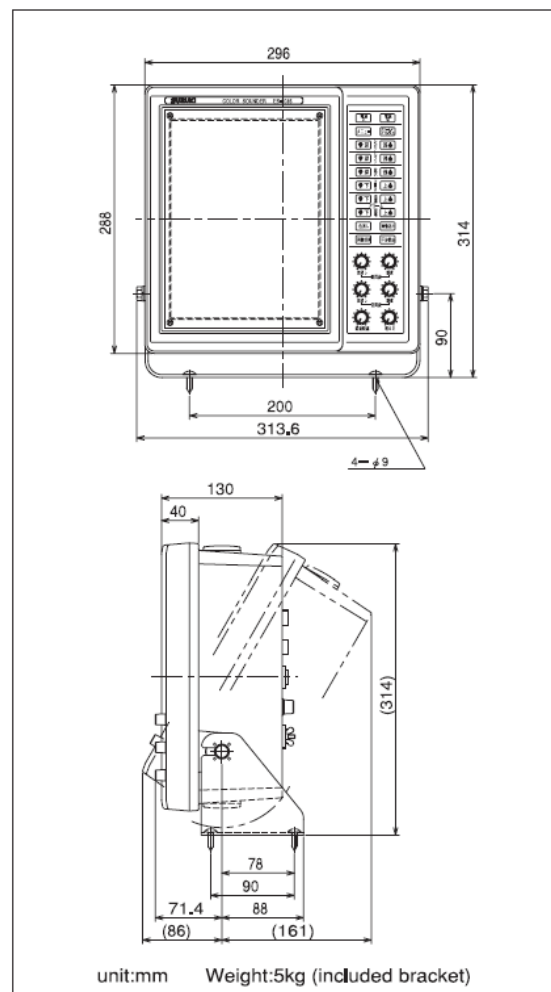
Dynamic range, ST-small target mode, Color palette function, A-scope, White Line feature, Depth and Fish Alarms

LIGHT & COMPACT LCD monitor

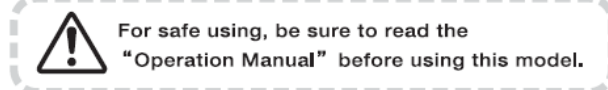
An ideal unit to install where space is limited.

SPECIFICATIONS

<ul style="list-style-type: none"> ■ RANGE ■ PHASED RANGE ■ PARTIAL EXPANSION ■ BOTTOM EXPANSION ■ FREQUENCY & OUTPUT POWER ■ DISPLAY MODES ■ DISPLAY DATA ■ FUNCTION DISPLAY ■ OTHER DISPLAY ■ OTHER FUNCTIONS 	<p>0~5 · 10 · 15 · 20 · 30 · 40 · 50 · 60 · 80 · 100 · 150 · 200 · 300 · 500 · 1000 · 1500 · 2000 m fm or br 0~15 · 20 · 30 · 40 · 50 · 60 · 80 · 100 · 150 · 200 · 300 · 500 · 1000 · 1500 · 2000 · 3000 · 5000 ft</p> <p>The upper range limit may be set per 2/5 of the range between 0~999</p> <p>Available as a combination of the range and the phased range.</p> <p>0~1 · 2.5 · 5 · 10 · 20 · 50 · 100 · 250 m fm or br 0~5 · 10 · 20 · 50 · 100 · 250 · 500 · 1000 feet</p> <p>Single frequency: either 50kHz(600w or 1kw) or 200kHz(600w) Dual frequency: 50kHz(600w or 1kw) & 200kHz(600w)</p> <p>Single frequency: NORMAL · BOTTOM EXPANSION · A-SCOPE · NAVIGATION Dual frequency: 50kHz NORMAL · 200kHz NORMAL · 50/200kHz DUAL FREQUENCY · SMALL TARGET NORMAL · BOTTOM EXPANSION · A-SCOPE · NAVIGATION</p> <p>Depth Scale · Depth(3 steps) · Water Temp.(3 steps) (OP)* · Temp. Scale (OP)* · VRMs · Lat/Lon (OP)* Speed (OP)* · Course (OP)*</p> <p>Alarm · Interference reduction · Picture speed · Auto range · Auto shift · Frequency(Dual frequency unit)</p> <p>Time marker (30 seconds elapsed time) · Color scale · Temp. graph (OP)* · Alarm set maker Expansion range line · TX power</p> <p>STC · Threshold · White line · Interference reduction · Noise reduction · Auto range · Auto shift Scale position change (2 positions) Depth display position (2 positions) · Alarms(shallow, deep, fish) Temp. display position change (2 positions) · Color tone selection (6 selections) · Output power reduction Expansion mode change(4 types) · Picture speed (stop & 4 changes) · User settings · Key function Backup</p>
<ul style="list-style-type: none"> OTHERS ■ DISPLAY ■ POWER SUPPLY ■ INPUT DATA ■ OUTPUT DATA 	<p>10.4 inch TFT color LCD monitor (H480×V640 pixels)</p> <p>10.5~40VDC 25W Max.</p> <p>Water temp. sensor (OP)* : OP-102 or OP-41 Temp. data (OP)* : NMEA-0183 (MTW) Positional data (OP)* : NMEA-0813 (VTG · GGA · GLL · RMC) Data:NMEA-0183 (MTW · DBT)</p> <p>NOTE - (OP)* indicates that optional equipment is required.</p>



*Specifications are subject to change without notice.



If you would like to know more about our products please contact...

SUZUKI FISH FINDER CO., LTD.

Head Office 12-1, Mamizuka-cho, Toyohashi-city, Aichi-pref, 441-8007 Japan
Phone(81)532-32-7511 Fax(81)532-32-7500
e-mail address: sales@suzukiff.co.jp
URL:http://www.suzukiff.co.jp/

© Colors used in this catalogue are subject to differ from actual colors.