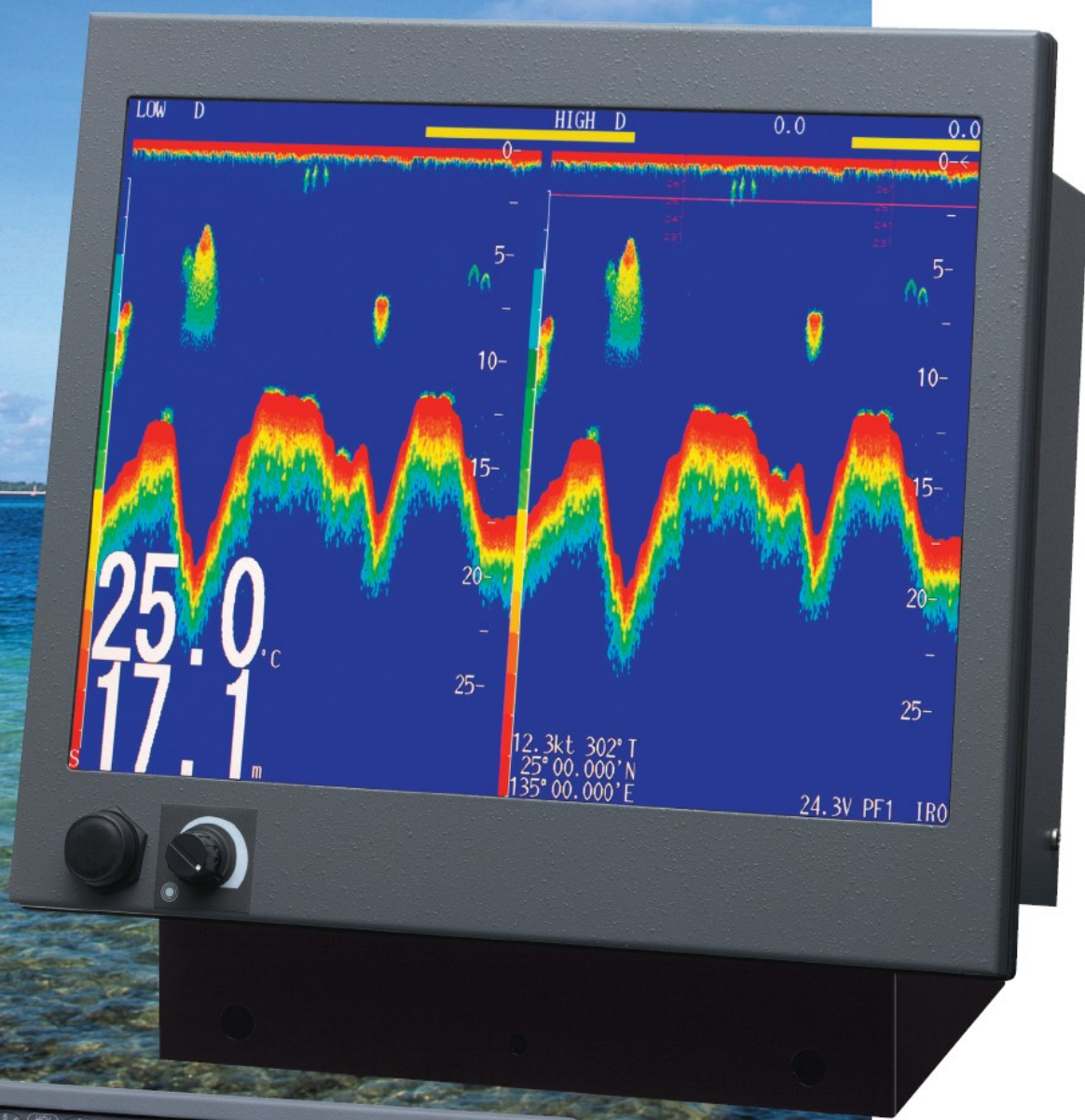


Model

# ES-8500

15 INCH COLOR  
TFT LCD

*SUZUKI presents a new type of Echo Sounder,  
Utilizing 15" XGA TFT Panel for  
improved presentation and easy operation.  
Color Presentation 8 colors/16 colors/32 colors  
BOX TYPE AVAILABLE*



**SUZUKI**  
FISH FINDER CO., LTD

## FEATURES

### 15 inch TFT color LCD monitor

High-definition LCD for optimum viewability in direct sunlight  
Vertical or horizontal models are available to meet your preference.

### Operation Mode

In total 6 different settings can be stored for various types of fishing operations and the optimum setup can be selected when the type of fishing operation is changed from one to another.

### 3000/Max. Transmit-Interval of 1 minute

High-speed transmissions make it possible to reduce the loss of detection of targets during moving.

### USB Memory

Operation Mode settings can be stored on the USB Memory.

### Color Presentation, 8 colors/16 colors/32 colors

Brilliant presentation on fish and bottom reading in 32 colors

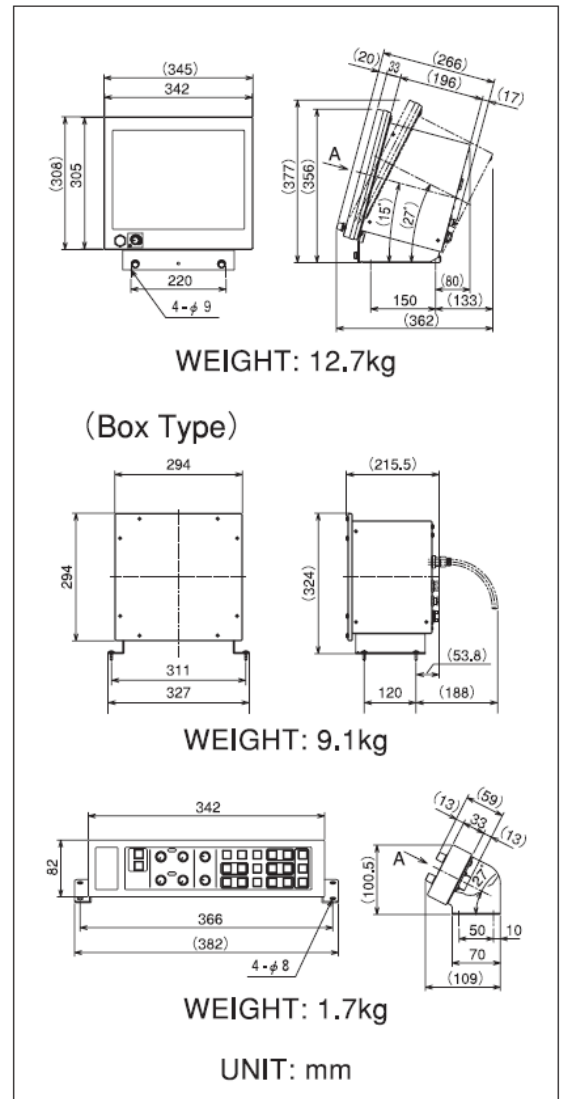
## SPECIFICATIONS

■ BASIC RANGE	FREE RANGE ( 10 KINDS OF RANGE SETTINGS UP TO 3000m, br, fm or 6000ft )
■ SHIFT	UP TO 1999m, br, fm or 2999ft
■ PART EXPANSION	FREE RANGE ( 8 KINDS OF RANGE SETTINGS UP TO 1000m, br, fm or 3000ft )
■ FREQUENCIES	20, 24, 28, 38, 40, 45, 50, 60, 68, 75, 80, 150, 200kHz ( TRI-TR boards can be mounted. )
■ DISPLAY MODE	① SINGLE LOW FREQUENCY ② SINGLE HIGH FREQUENCY ③ DUAL FREQUENCY ( HISTORICAL or HORIZONTAL ) ④ BOTTOM EXPANSION/NORMAL MODE DUAL DISPLAY ⑤ PARTIAL EXPANSION/NORMAL MODE DUAL DISPLAY ⑥ NAVIGATION MODE/SOUNDER ⑦ MENU 1 ( RANGE ) ⑧ MENU 2 ( FUNCTIONS ) ⑨ COLOR PALETTE SET MENU
■ DIGITAL DISPLAY	① DEPTH ② DEPTH SCALE ③ SHIFT ④ EXPANSION START/VRM ⑤ TIMER ⑥ TEMP GRAPH *
■ OTHER FUNCTIONS	⑦ LAT/LON * ⑧ SPEED * ⑨ COURSE * ⑩ VOLTAGE OPERATION MODE, A-SCOPE, FAR GAIN CONTROL, GAIN CONTROL, TVG CURVE, D RANGE, TRANSMIT. INTERVAL CHANGE, PULSE WIDTH CHANGE ( AUTO, MANUAL ), COLOR SELECTION, INTERFERENCE REDUCTION, NOISE REDUCTION, FISH ALARMS, CLUTTER CONTROL, THRESHOLD ADJUSTMENT, TEMP. ADJUSTMENT, WHITE LINE, OUTER RANGE DISPLAY, MEMORY STORAGE DRAFT ADJUSTMENT, TEMP. ALARMS, SCALE CHANGE, BRIGHTNESS CONTROL, PICTURE SPEED.
■ EXTERNAL INPUT	WATER TEMP. SENSOR ( OP-102, OP-41, NMEA-0183 < MTW > ) *, NAVIGATIONAL DATA ( NMEA-0183 ) *, EXTERNAL SOUNDER *
■ EXTERNAL OUTPUT	DEPTH DATA ( NMEA-0183 ), WATER TEMP. DATA ( NMEA-0183 ), MARKER ( TLL ) EXTERNAL SOUNDER *, VGA OUTPUT *
■ SCREEN	15 INCH TFT COLOR LCD MONITOR, 1024 × 768 pixels display resolution ( XGA )
■ POWER REQUIREMENT	DC20 ~ 30V Power consumption 110w
■ USB Memory	* optional equipment is required.

\* Specifications are subject to change without notice



For safe using, be sure to read the "Operation Manual" before using this model.



If you would like to know more about our products please contact...

## SUZUKI FISH FINDER CO., LTD.

Head Office 12-1, Mamizuka-cho, Toyohashi-city, Aichi-pref,  
441-8007 Japan  
Phone(81)532-32-7511 Fax(81)832-32-7500  
e-mail address : sales@suzukiff.co.jp  
URL:http://www.suzukiff.co.jp/

© Colors used in this catalogue are subject to differ from actual colors.