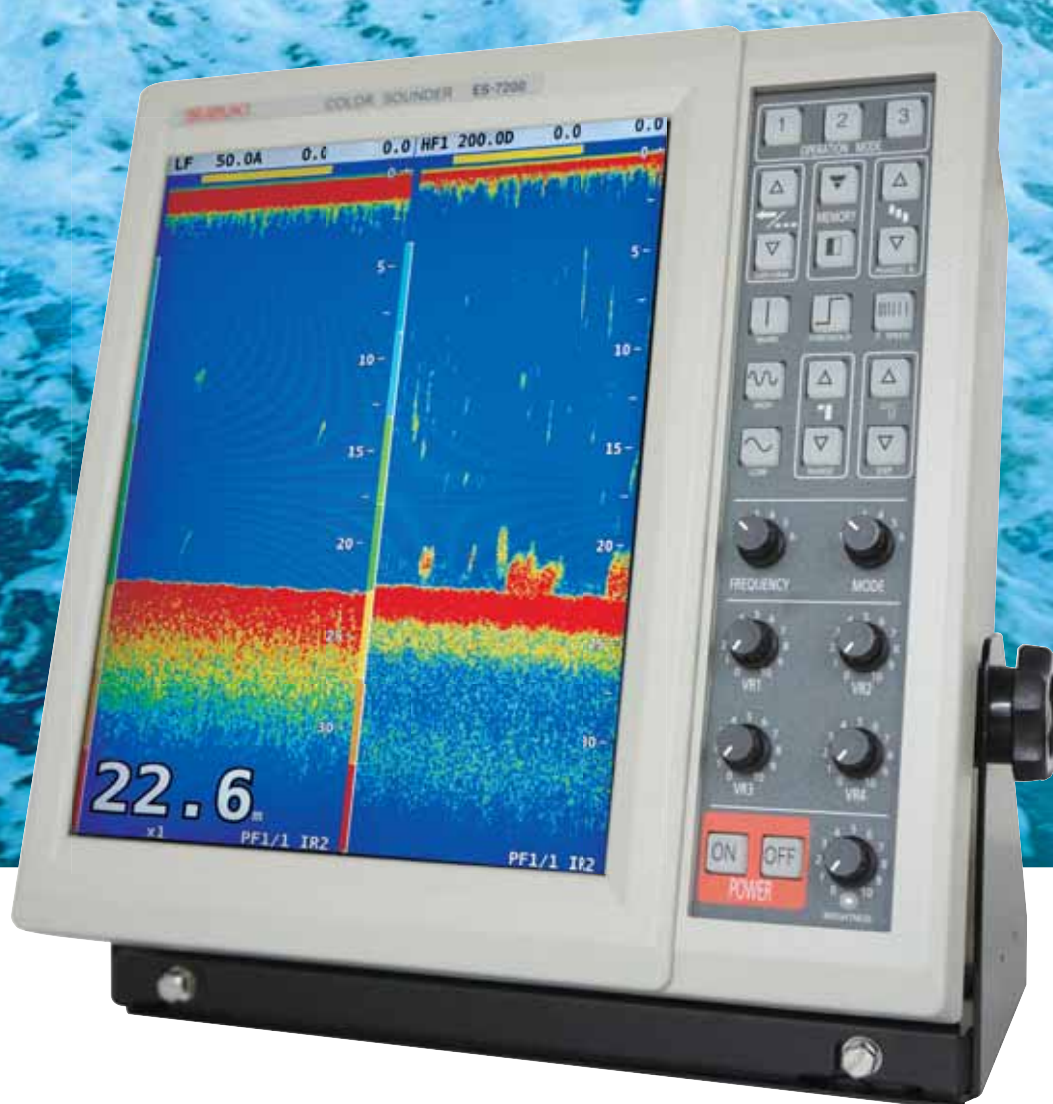


# ES-7200

12.1 INCH COLOR TFT LCD

DIGITAL SIGNAL PROCESSING TECHNOLOGY



## FEATURES

### SUZUKI FLEX. FREQUENCY SYSTEM (FFS)

FFS permits an ideal operating frequency you need.

### 12.1 INCH COLOR THIN FILM TRANSISTOR LIQUID CRYSTAL DISPLAY

High brightness, resolution (1024 x 768 pixels) LCD panel provides sharp echo image on the screen.

### DIGITAL SIGNAL PROCESSING TECHNOLOGY

The DSP technology brings outstanding performance in 16 colors.

### FRONT FILTER DIRECT BONDING

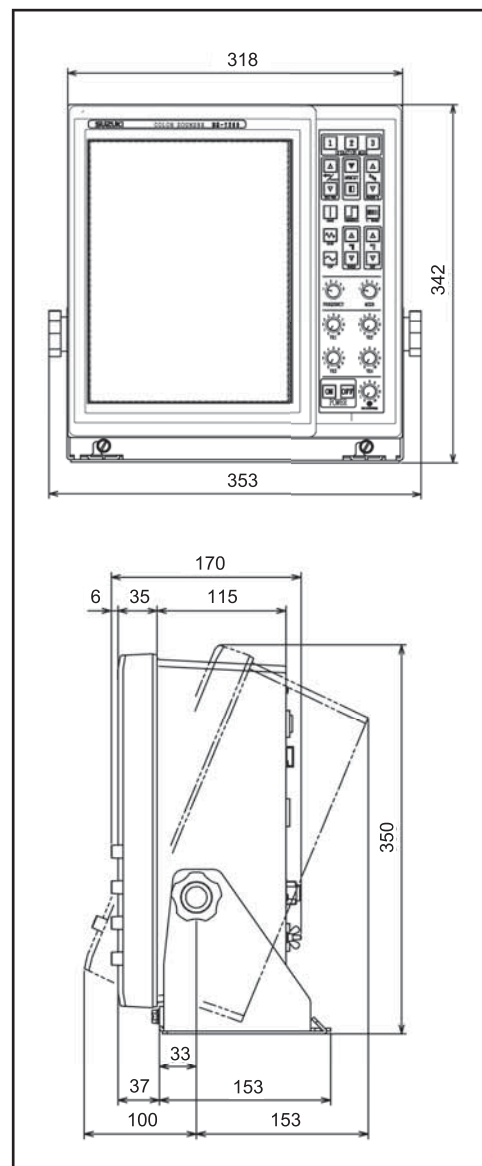
No dew condensation, Brilliant presentation on fish and bottom.

### SCREENSHOT

12 screenshots can be stored on the unit.

## SPECIFICATIONS

- Basic Ranges Free Range (10 kinds of range settings up to 3000m, br, fm or 6000ft)
- Shift Up to 1999m, br. fm. or 2999ft
- Part Expansion Free Range (8 kinds of range settings up to 1000m, br, fm or 3000ft)
- Frequencies Dual-frequency  
(20, 24, 28, 38, 40, 45, 50, 60, 68, 70, 80, 150, 200kHz)
- Display Mode
  - 1 . Single Low Frequency
  - 2 . Single High Frequency
  - 3 . Dual Frequency (Vertical or Horizontal)
  - 4 . Bottom Expansion/Sounder
  - 5 . Partial Expansion/Sounder
  - 6 . Navigation Mode/Sounder
  - 7 . Range set Menu
  - 8 . Functions set Menu
  - 9 . Color Palette Set Menu
  10. A-Scope/Sounder
- Digital Display
  - 1 . Depth
  - 2 . Depth Scale
  - 3 . Shift
  - 4 . Expansion Start/VRM
  - 5 . Timer
  - 6 . Water Temperature, Graph\*
  - 7 . Lat / Lon\*
  - 8 . Speed\*
  - 9 . Course\*
  10. Voltage
- Other Functions Operation Mode, Frequency Selection, Far Gain Control, Gain Control, TVG Curve, D-Range, Transmit. Interval Change, Pulse Width Change (Auto/Manual), Color Selection, Interference Reduction, Jamming Reduction, Noise Reduction, Clutter Control, Water Temp. Adjustment, White Line, Picture Filter, Screenshot, Outer Range Display, Draft Adjustment, Output Power Reduction, Stopwatch, Various Alarms, Scale Change, Brightness Control, Picture Speed (Auto/Fix), Sonic control, Full-screen Gain Control
- External Input Water Temperature Sensor (OP-102, OP-41, NMEA-0183 <MTW>), Navigational Data (NMEA-0183), External Sounder, Compass (NMEA-0183)
- External Output Depth Data (NMEA-0183), Water Temperature Data (NMEA-0183), Marker (TLL), External Sounder, Analog RGB Output\*, External Buzzer
- Others USB Memory
- Screen 12.1inch TFT Color LCD Monitor 1024x768 Pixels Display Resolution (XGA), 8/16 colors
- Power Requirement DC 10.5 – 30V, Power Consumption 60W  
\*Optional equipment is required.



If you would like to know more about our products please contact...

## SUZUKI FISH FINDER CO., LTD.

Head Office 12-1, Mamizuka-cho, Toyohashi-city, Aichi-pref,  
441-8007 Japan  
Phone(81)532-32-7511 Fax(81)532-32-7500  
e-mail address : sales@suzukiff.co.jp  
URL: <http://www.suzukiff.co.jp/>

© Colors used in this catalogue are subject to differ from actual colors.

**PLEASE CONTACT**