

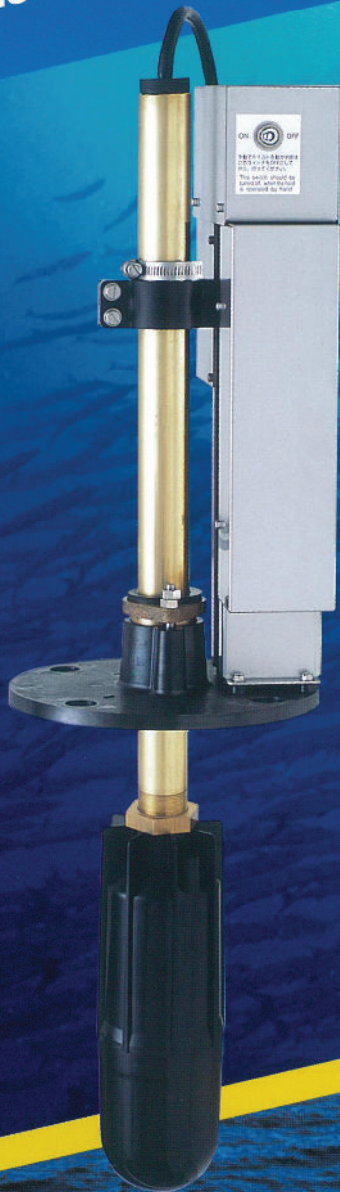
SEARCHLIGHT SONAR

S-1400 II

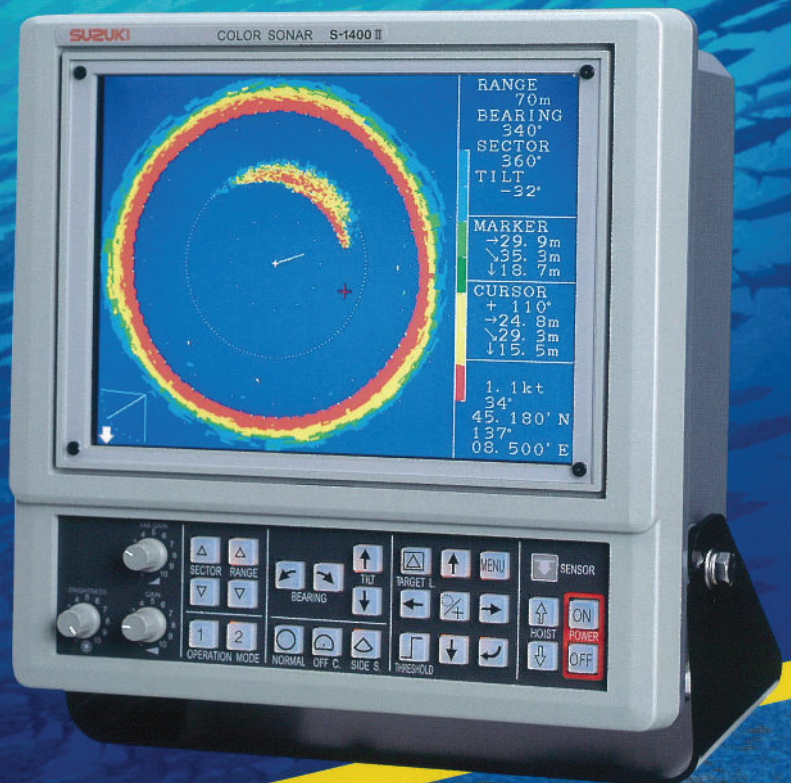
SUZUKI

4 inch soundome

- Transceiver unit mounted in display unit
- High definition 10.4 inch color LCD display
- Newly designed to fit small fishing boats
- Low-profile hull unit for space saving installation
- lowest cost searchlight sonar



HULL UNIT



DISPLAY UNIT

Suzuki is the only one manufacturer in the world that can proudly provide such a compact and sophisticated searchlight sonar.

SPECIFICATIONS OF SEARCHLIGHT SONAR S-1400II

Range (20 ranges)

Meters	0 - 10 - 100 (10 steps)	100 - 300 (20 steps)
Unit Fathoms	0 - 10 - 200 (10 steps)	
Feet	0 - 50 - 1000 (50 steps)	

Sector angle

Sonar Mode (5° step)	5°	25°	45°	85°	125°	165°	205°	360°
(10° step)	10°	30°	50°	90°	130°	170°	210°	360°
Bottom Scan Mode (3° step)	3°	27°	45°	63°	93°	117°	147°	177°
(5° step)	5°	25°	45°	65°	95°	115°	145°	175°

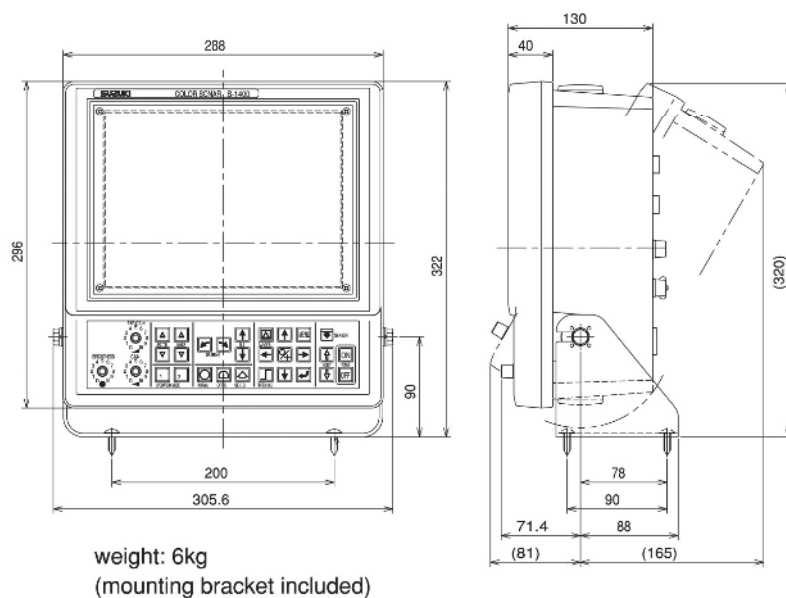
Time to train full circle (S)

Range (Meters)	10	40	80	100	160	200	300
(5° step)	4.2	7.1	10.9	12.8	18.6	22.4	32.0
(10° step)	3.7	5.1	7.0	8.0	10.9	12.8	17.6

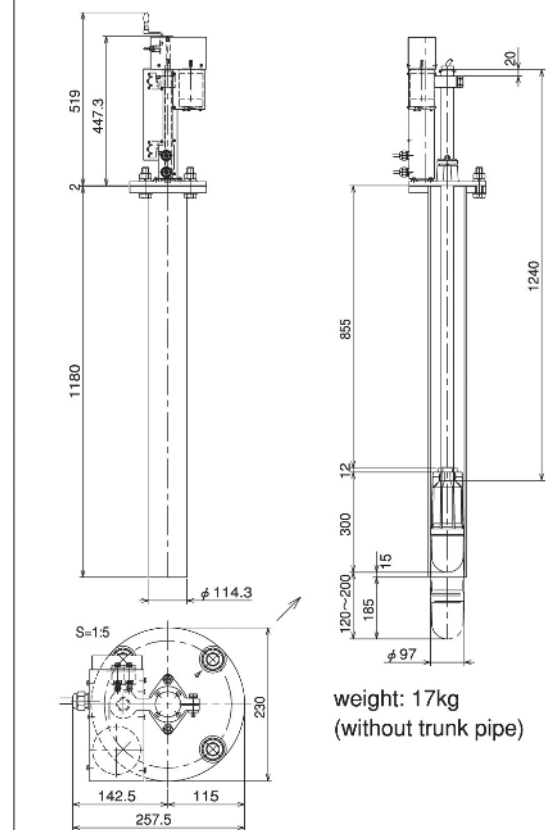
- **Display Unit:** 10.4" TFT color LCD (640 x 480 pixels)
- **Display Mode**
 Sonar Mode + Data display /Off-Center Mode+Data display
 Bottom Scan Mode + Data display
- **Frequency:** 220kHz
- **TX output Power:** 800 W

- **Power supply:**
20 - 30 VDC, 70 W
- **12 VDC:** DC/DC converter is available.
Consult with your dealer about DC/DC converter.
- **Color:** 8 colors & color palette
- **Tilt Angle:** +5° to - 90° at 1° step
- **Stroke:** 120 - 200 mm
- **Raising/Lowering Time:** 7 seconds
- **Maximum Ship Speed:** 15 Knots
(10 Knots when being lowered/raised)
- **Display Data:** Range, Sector angle, Range scale, Color scale, Interference reduction, VRM, Depth, Tilt angle, Tilt angle diagram, Ring marker, Cross cursor, Latitude/Longitude (option), Own ship's speed (option), Compass display (option), Temp. display (option)
- **Interface Input:** NMEA-0183 **Output:** Trigger Signal
- **Other Functions:** Operation mode (2 types), Off center, Train Correct, Power reduction, Pulse width, Color selection, Gain Control, Dynamic range, Noise reduction, Stabilizer, Threshold control, Brightness adjustment, Hoist sensor lamp, Interference reduction, Target lock, TVG, Auto retraction (option)
- **note:** option - an optional equipment is required.

S-1400II - 10.4 inch display monitor



S-1400II hull unit



* Specifications are subject to change without notice.



For safe using, be sure to read the "Operation Manual" before using this model.

If you would like to know more about our products please contact...

SUZUKI FISH FINDER CO., LTD.

Head Office 12-1, Mamizuka-cho, Toyohashi-city, Aichi-pref,
 441-8007 Japan
 Phone (81) 532-32-7511 Fax (81) 532-32-7500
 e-mail address: sales@suzukiff.co.jp
 URL: http://www.suzukiff.co.jp/

© Colors used in this catalogue are subject to differ from actual colors.