

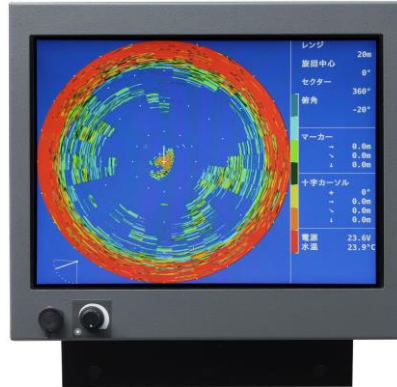
SEARCHLIGHT SONAR

S-1900

S-1900M12



S-1900M15



S-1900MBB



JUNCTION BOX

S-1900 HULL UNIT
H80/H140/H180 H100/H800



or



◆ DSP TECHNOLOGY
brings about outstanding performance
in 16 colors
1024x768 pixels

◆ FREQUENCY
80kHz • 140kHz • 180kHz

◆ LED BACKLIGHT SYSTEM
high image quality and low power
consumption LCD with LED backlight
system

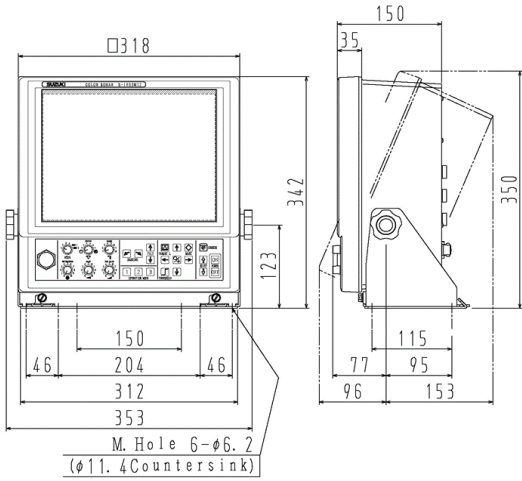
FEATURES

◆ SPACE SAVING INSTALLATION

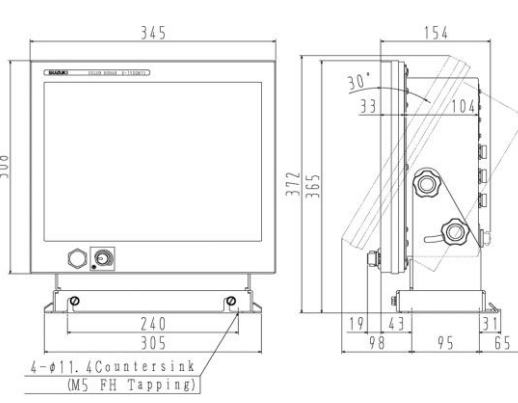
SUZUKI
SUZUKI FISH FINDER CO.,LTD.

DIMENSIONS

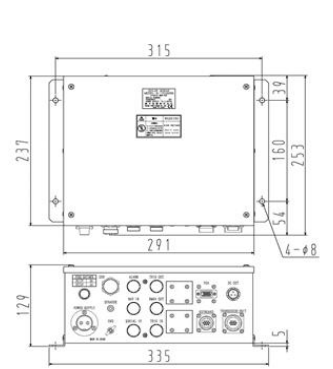
S-1900M12



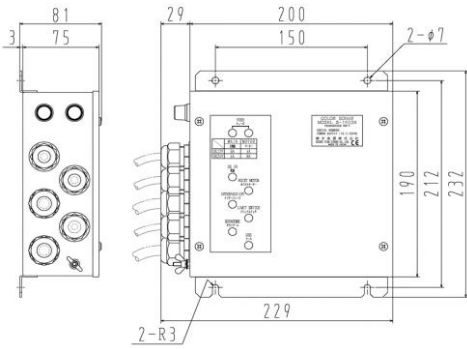
S-1900M15



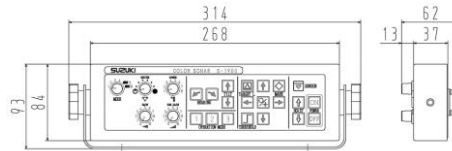
S-1900MBB



JUNCTION BOX



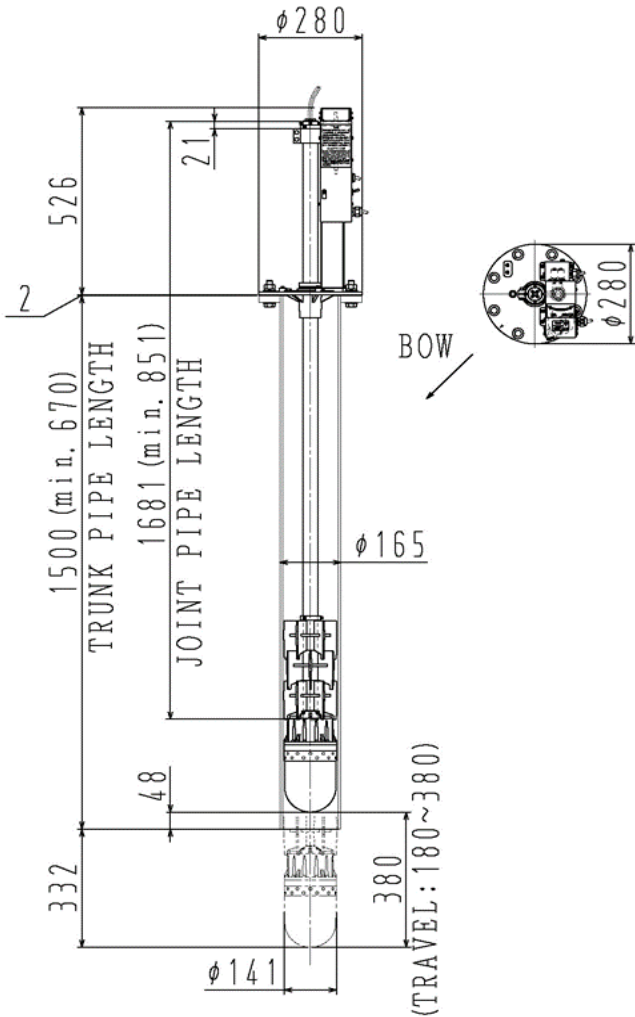
KEYBOARD UNIT



DISPLAY MODE	Sonar Mode + Info, Off-Center Mode + info, Full-Screen Sonar Mode (360 coverage), Bottom Scan Mode + Info, Sounder Mode + Info
SUB-DISPLAY	Historical Display, + Press Display, + A-Scope Display, Vertical Display, Wake Display, EXT. FF Display,

S-1900 HULL UNIT

H80/H140/H180



H100/H800

