

SUZUKI

For more than 50 years, SUZUKI has developed electronics that fishermen trust.

ES-2035 II

10.4 inch COLOR LCD ECHO SOUNDER

SINGLE FREQUENCY UNIT



DUAL FREQUENCY UNIT



SUZUKI FISH FINDER CO., LTD. is one of the leading echo sounder providers focused on customer needs and targets the commercial fishing market by providing value-added, customized sounders.

FEATURES

The ES-2035 II's advanced features make it suitable for a variety of fishing. Since introducing the ES-1025/2025, SUZUKI has made continual strides to improve its features.

The following shows the upgraded Echo Sounder ES-2035 II.

CLEAR COLOR SCREEN

10.4 inch, bright, high resolution, sunlight readable, full-color advanced TFT screen

EASY OPERATION

Simple key operation and setting menu

VARSATILE FUNCTIONS

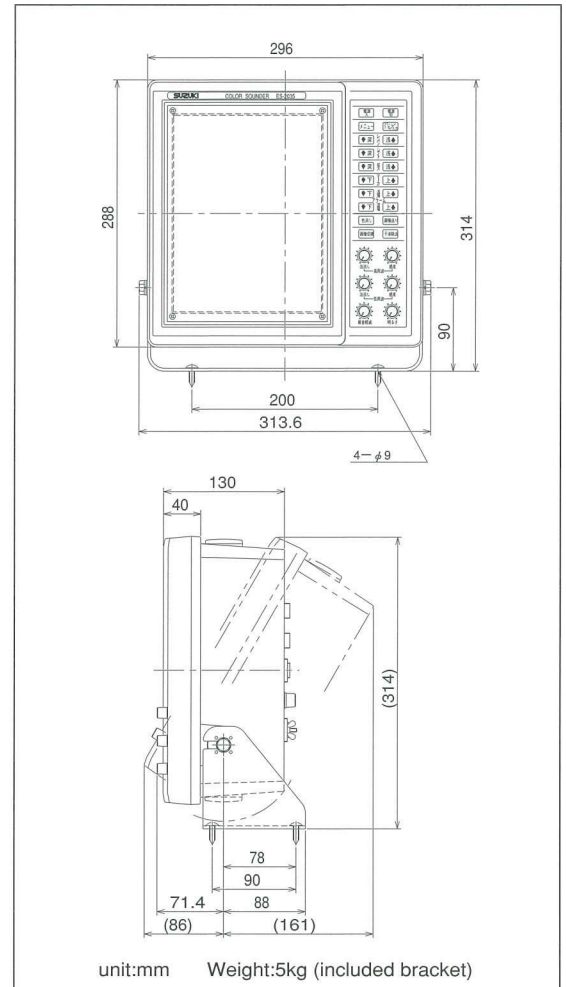
Dynamic range, ST-small target mode, Color palette function, A-scope, White Line feature, Depth and Fish Alarms

Color Presentation, 8 colors/16 colors

Brilliant presentation on fish and bottom reading in 16 colors

SPECIFICATIONS

| | |
|----------------------------|--|
| ■ RANGE | 0~5 · 10 · 15 · 20 · 30 · 40 · 50 · 60 · 80 · 100 · 150 · 200 · 300 · 500 · 1000 · 1500 · 2000 m fm or br 0~15 · 20 · 30 · 40 · 50 · 60 · 80 · 100 · 150 · 200 · 300 · 500 · 1000 · 1500 · 2000 · 3000 · 5000 ft |
| ■ PHASED RANGE | The upper range limit may be set per 2/5 of the range between 0~999 |
| ■ PARTIAL EXPANSION | Available as a combination of the range and the phased range. |
| ■ BOTTOM EXPANSION | 0~1 · 2.5 · 5 · 10 · 20 · 50 · 100 · 250 m fm or br 0~5 · 10 · 20 · 50 · 100 · 250 · 500 · 1000 feet |
| ■ FREQUENCY & OUTPUT POWER | Single frequency: either 50kHz(600w or 1kw) or 200kHz(600w) Dual frequency: 50kHz(600w or 1kw) & 200kHz(600w) |
| ■ DISPLAY MODES | Single frequency: NORMAL · BOTTOM EXPANSION · A-SCOPE · NAVIGATION Dual frequency: 50kHz NORMAL · 200kHz NORMAL · 50/200kHz DUAL FREQUENCY · SMALL TARGET NORMAL · BOTTOM EXPANSION · A-SCOPE · NAVIGATION |
| ■ DISPLAY DATA | Depth Scale · Depth(3 steps) · Water Temp.(3 steps) (OP)* · Temp. Scale (OP)* · VRMs · Lat/Lon (OP)* Speed (OP)* · Course (OP)* |
| ■ FUNCTION DISPLAY | Alarm · Interference reduction · Picture speed · Auto range · Auto shift · Frequency(Dual frequency unit) |
| ■ OTHER DISPLAY | Time marker (30 seconds elapsed time) · Color scale · Temp. graph (OP)* · Alarm set maker Expansion range line · TX power |
| ■ OTHER FUNCTIONS | STC · Threshold · White line · Interference reduction · Noise reduction · Auto range · Auto shift Scale position change (2 positions) Depth display position (2 positions) · Alarms(shallow, deep, fish) Temp. display position change (2 positions) · Color tone selection (6 selections) · Output power reduction Expansion mode change(4 types) · Picture speed (stop & 4 changes) · User settings · Key function Backup |
| OTHERS | |
| ■ DISPLAY | 10.4 inch TFT color LCD monitor (H480×V640 pixels) |
| ■ POWER SUPPLY | 10.5~30VDC 25W Max. |
| ■ INPUT DATA | Water temp. sensor (OP)* : OP-102 or OP-41 Temp. data (OP)* : NMEA-0183 (MTW) Positional data (OP)* : NMEA-0813 (VTG · GGA · GLL · RMC) |
| ■ OUTPUT DATA | Data:NMEA-0183 (MTW · DBT) NOTE - (OP)* indicates that optional equipment is required. |



unit:mm Weight:5kg (included bracket)

* Specifications are subject to change without notice.



For safe using, be sure to read the "Operation Manual" before using this model.

If you would like to know more about our products please contact...

SUZUKI FISH FINDER CO., LTD.

Head Office 12-1, Mamizuka-cho, Toyohashi-city, Aichi-pref,
441-8007 Japan
Phone(81)532-32-7511 Fax(81)532-32-7500
e-mail address: sales@suzukiff.co.jp
URL:http://www.suzukiff.co.jp/

© Colors used in this catalogue are subject to differ from actual colors.