

COLOR TFT LCD (12.1" or 15") DISPLAY SONAR
MBB (BOX SYSTEM) SONAR

SUZUKI
SUZUKI FISH FINDER CO.,LTD.

SEARCHLIGHT SONAR

S-19000

**DISPLAY UNIT
S-1900M12**

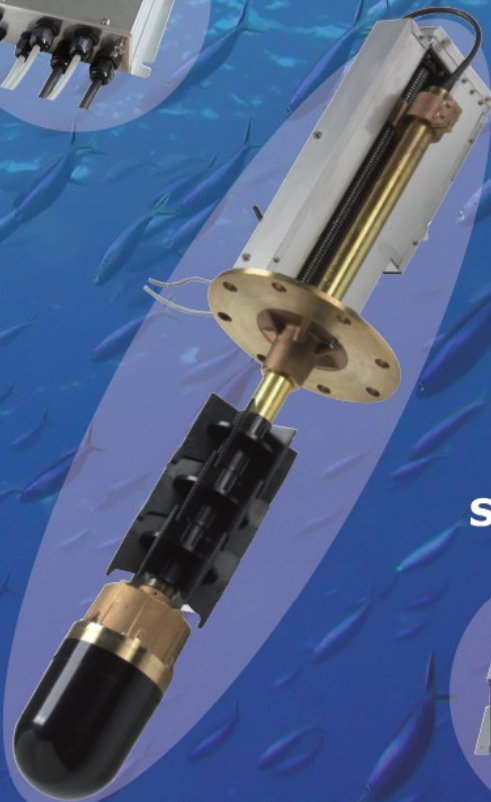
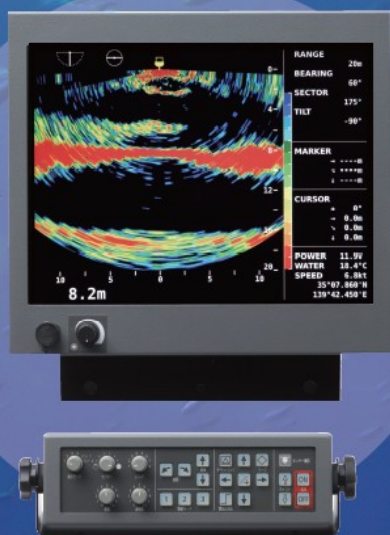


JUNCTION BOX



**HULL UNIT
S-1900H80
S-1900H140
S-1900H180**

**DISPLAY UNIT
S-1900M15**



S-1900MBB



◆ **DSP TECHNOLOGY**
brings about outstanding performance
in 16 colors
1024x768 pixels

◆ **LED BACKLIGHT SYSTEM**
high image quality and low power
consumption LCD with LED backlight
system

FEATURES

◆ **FREQUENCY**
80kHz • 140kHz • 180kHz

◆ **SPACE SAVING INSTALLATION**

COLOR SEARCHLIGHT SONAR

SPECIFICATIONS

DISPLAY UNIT

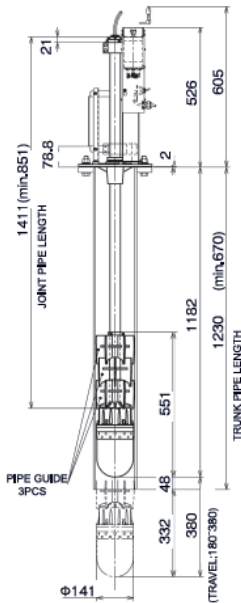
MODEL	S-1900M12	S-1900M15	S-1900MBB
DISPLAY	12.1" color TFT LCD	15" color TFT LCD	custom monitor
WEIGHT	9kg (M. bracket included)	12kg (keyboard included)	5kg (keyboard included)
POWER	10.5~30VDC	20~30VDC	10.5~30VDC
RANGE	8 ranges 0~10~2000 (unit: meters, feet, fathoms and braccia)		
S.ANGLE (sonar)	(5° step) 5° 25° 45° 85° 125° 165° 205° 360° (10° step) 10° 30° 50° 90° 130° 170° 210° 360°		
S.ANGLE (bottom)	(3° step) 3° 27° 45° 63° 93° 117° 147° 177° (5° step) 5° 25° 45° 65° 95° 115° 145° 175°		
S.CENTER	every 5° step selectable		
TILT	5° ~ 0° ~ -90° (in 1° step)		
DISPLAY MODE	Sonar Mode + Info, Off-Center Mode + Info, Full-Screen Sonar Mode (360° coverage), Bottom-Scan Mode + Info, Sounder Mode + Info		
SUB-DISPLAY	Historical Display, + Press Display, + A-Scope Display, Vertical Display (auto, manual), Wake Display, EXT. FF Display		
FUNCTIONS	Operation mode, Off-Center, Train Correct, Power Reduction, Gain Adjust, Temp. Adjust, Pulse Width Control, TVG Change, Target Lock, Color Change, Dynamic Range, Power Reduction, Interference Reduction, Threshold, Filter, Gain Control, Far Gain Control, Brightness Control, External Trigger Synchro, Trigger Signal Output, Hoist Sensor Lamp, Audio*, Stabilizer, Soundome Automatic Retract*, Mark, Full-Screen Gain Control		
INPUT	Trigger, Navigator, External Sounder, Remote Controller		
OUTPUT	External Buzzer, Trigger, NMEA, XGA, Audio, USB		

*optional equipment is required

DIMENSIONS

UNIT: mm

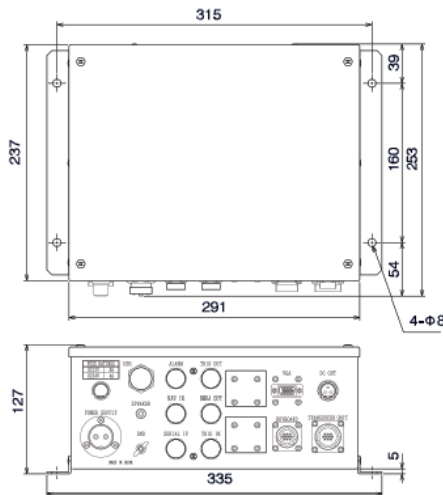
HULL UNIT S-1900H80 S-1900H140 S-1900H180



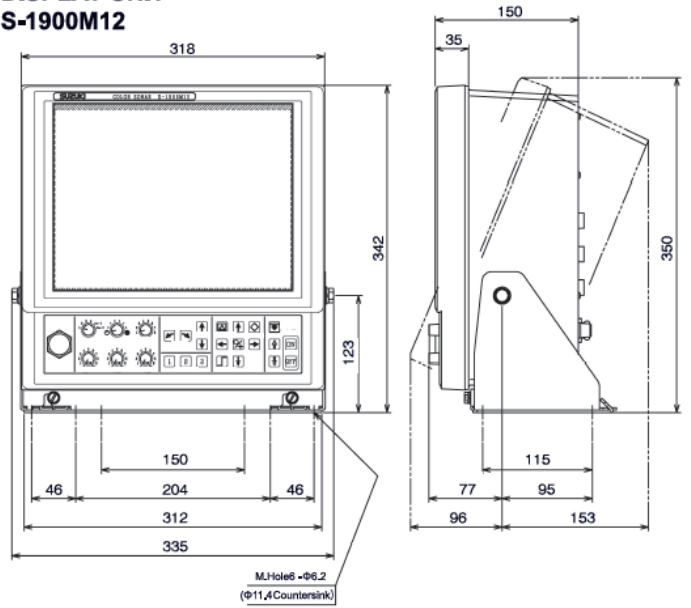
WEIGHT 33kg

JOINT PIPE LENGTH=TRUNK PIPE LENGTH+181cm

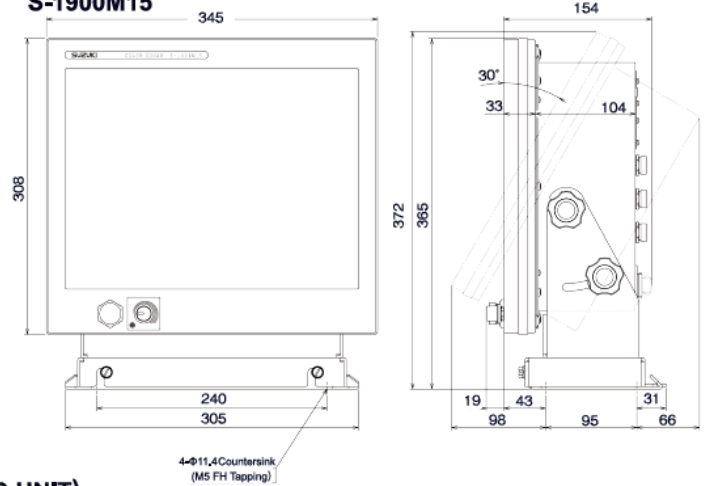
CONTROL UNIT S-1900MBB (connected to KEYBOARD UNIT)



DISPLAY UNIT S-1900M12



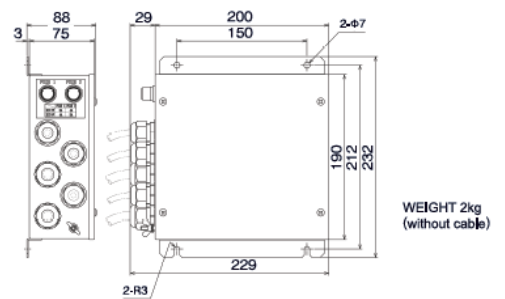
DISPLAY UNIT S-1900M15



KEYBOARD UNIT S-1900M15/S-1900MBB



JUNCTION BOX S-1900H



- ※ For safety use, be sure to read the operation manual before using the S-1900.
- ※ Specifications are subject to change without notice.
- ※ Colors used in this catalog are subject to differ from actual colors.

Please contact



SUZUKI FISH FINDER CO.,LTD.

12-1, Mamizuka-cho, Toyohashi, Aichi, 441-8007 Japan

TEL (81)532-32-7511 FAX (81)532-32-7500

e-mail address: sales@suzukiff.co.jp

URL: <http://www.suzukiff.co.jp/>